

# S-LED-8-90PS-8CSA

## LED MICROSTRIP FIXTURE



8' LED Microstrip Fixture, 120–277V Input,  
Frosted Lens, 0–10V Dimming

### PRODUCT FEATURES

- CCT Selection: Adjust CCT between 3500K, 4000K, or 5000K
- Wattage Selection: Adjust Wattage between 90W, 75W, and 54W
- Powered by 0–10V dimming LED drivers
- Post-painted steel body; PMMA lens
- Available with optional integral occupancy sensor accessory
- Ambient operating temperature: –20°C/–4°F to 50°C/122°F
- UL Listed 1598: Suitable for dry and damp locations
- THD: <20%
- Power factor >0.95



### POWER AND COLOR TEMPERATURE SELECTABILITY

- CCT Selection: Adjustable CCT (3500K/4000K/5000K)
- Wattage Selection: Adjustable Wattage (90W/75W/54W)

### PRODUCT SPECIFICATIONS

Catalog Number	Input Voltage	Wattage	Color Temperature	Lumens	Efficacy	Rated Life	CRI	Power Factor
S-LED-8-90PS-8CSA*	120-277V	90W	3500K	11,880	132 lm/W	50,000 hrs	>80	>0.9
			4000K	11,970	133 lm/W			
			5000K	12,060	134 lm/W			
		75W	3500K	10,125	135 lm/W			
			4000K	10,200	136 lm/W			
			5000K	10,275	137 lm/W			
		54W	3500K	7,668	142 lm/W			
			4000K	7,722	143 lm/W			
			5000K	7,776	144 lm/W			

ONE CATALOG NUMBER WITH 9 DIFFERENT OPTIONS

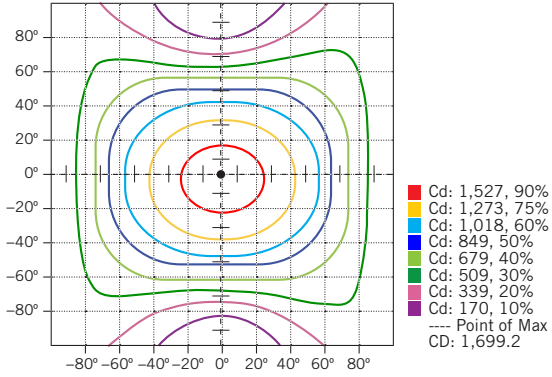
\* Preset to highest lumen output (90W / 5000K)  
\* Color Uniformity: CCT (Correlated Color Temperature) range as per guidelines outlined in ANSI C78.377-2017.

# S-LED-8-90PS-8CSA

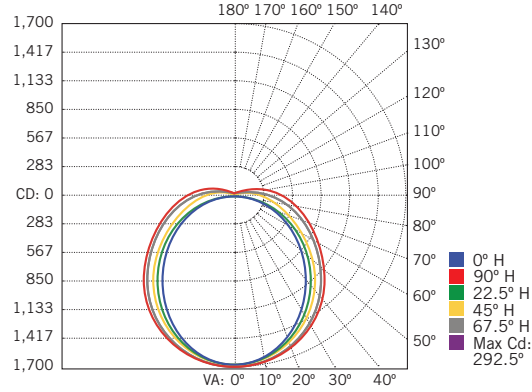
## LED MICROSTRIP FIXTURE



ISOCANDELA PLOT



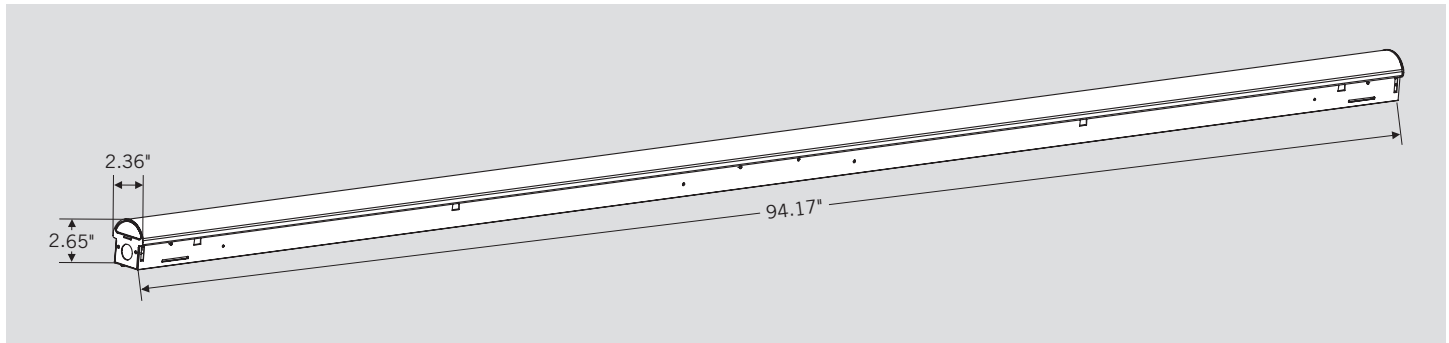
POLAR CANDELA DISTRIBUTION



ZONAL LUMEN SUMMARY

Zone	Lumens	% Luminaire
0-30	1,295.9	21.9%
0-40	2,122.9	35.9%
0-60	3,804.3	64.3%
60-90	1,556.1	26.3%
70-100	1,110.0	18.8%
90-120	457.1	7.7%
0-90	5,360.4	90.6%
90-180	553.4	9.4%
0-180	5,913.8	100%

### PHYSICAL SPECIFICATIONS



### ORDERING INFORMATION

Order Code	Pack Quantity	Easy Code	UPC
S-LED-8-90PS-8CSA	1	GYB-02	843654135434