



Product Description:

Extruded aluminum tube provides strength and durability as well as protects and conceals the component wiring

Terminal block provided on base bracket for easy installation of incoming supply wires

Quick disconnect located near the terminal block for simple connection to the LED driver.



LED compartment is airtight to prevent fogging and condensation build up and keep water out

Aluminum reflector designed to reduce glare and produce an even distribution

Clear UV resistant polycarbonate lens allows for optimal light transmission and protects the light engine compartment from harsh environments

Driver is mounted under the LED compartment for easy replacement and to protect from water that may accumulate in the base of the bollard. Torx security screws secure the LED compartment to the base to deter vandalism

Versatile mounting plate allows for easy installation and replacement for any project or development



GRPL-10A-C



GRPL10A-S

Product Description:

This attractive, newly redesigned heavy-duty bollard features full proof aluminum construction housing, providing corrosion and vandal resistance ideal for lighting pedestrian walkways, as well as accenting the exterior grounds of office and apartment buildings, hotel and parks. A solid foundation withstands the elements, driver options work in even the worst weather conditions.

Features:

- LISTING**
UL and CUL listed for wet locations
- HOUSING**
Consisting of an extruded aluminium alloy body
Standard 4kV Surge
- FINISH**
UV stabilized powder coated finish
- LENS**
High-impact polycarbonate diffuser
- OPTIONS**
Anodized aluminum reflector
Finish - Bronze

SpecGrade
 888-410-5337
 www.SpecGrade.com

* Different LED Kelvin temperature available with 4-6 week lead time. Please call for a quote.
 ** DISCLAIMER: This test report was produced in accordance with IES LM-79 photometric testing protocol for luminaires, using a single representative test fixture. Actual production units may vary from the values reported here by up to ±10%.





LED Bollard GRPL-10A-C/S

Performance Data

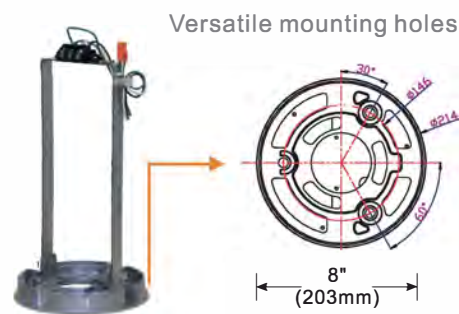
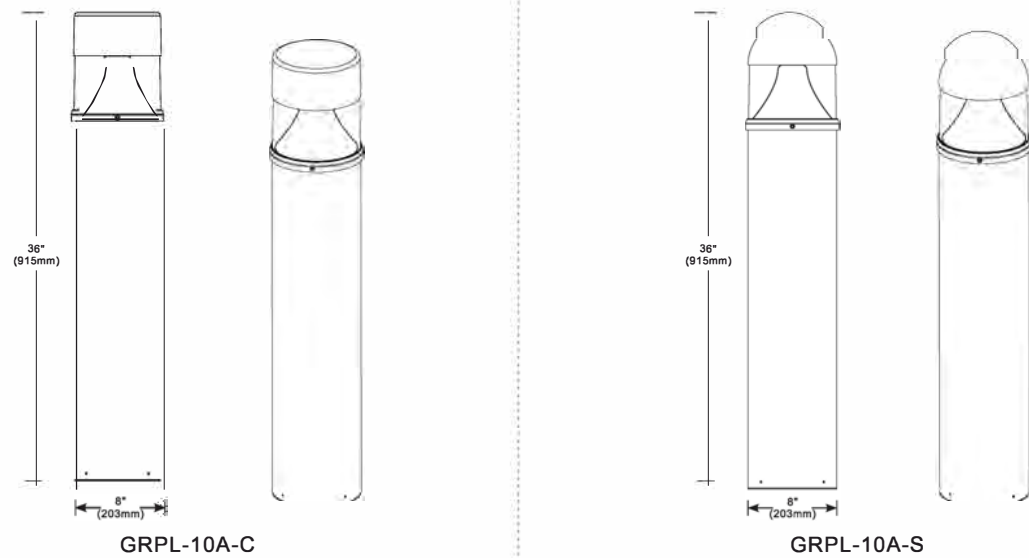
Model NO.	System Watts	Dist. Type	Lumens	Lpw	B	U	G
GRPL-10A-C/S	18 W	Type V	2090 lm**	113 lm/W	1	3	2
	38 W	Type V	3610 lm**	95 lm/W	1	3	2

Specification:

Example: GRPL-10A018UNV750-XS-C

Model No.	System Watts	Input Voltage	CRI	Color Temp	Option	Feature	Finish	Starting Temp
GRPL-10A	018=18W 038=38W	UNV=120-277V	7=70+	30=3000 K 40=4000 K 50=5000 K	XS= 10kV Surge 2S= 20kV Surge	C=Cylinder S=Sphere	Bronze	-40°C

Dimension:



* Different LED Kelvin temperature available with 4-6 week lead time. Please call for a quote.
 ** DISCLAIMER: This test report was produced in accordance with IES LM-79 photometric testing protocol for luminaires, using a single representative test fixture. Actual production units may vary from the values reported here by up to ±10%.