



GRPL-5510



GRPL-5520

SpecGrade
888-410-5337
www.SpecGrade.com

* Different LED Kelvin temperature available with 4-6 week lead time. Please call for a quote.
** DISCLAIMER: This test report was produced in accordance with IES LM-79 photometric testing protocol for luminaires, using a single representative test fixture. Actual production units may vary from the values reported here by up to ±10%.



LED Bollard

GRPL-5510/5520



LED Bollard

GRPL-5510/5520

Product Description:

Extruded aluminum tube provides strength and durability as well as protects and conceals the component wiring

Terminal block provided on base bracket for easy installation of incoming supply wires

Quick disconnect located near the terminal block for simple connection to the LED driver.

Versatile mounting plate allows for easy installation and replacement for any project or development



LED compartment is airtight to prevent fogging and condensation build up and keep water out

Aluminum reflector designed to reduce glare and produce an even distribution

Clear UV resistant polycarbonate lens allows for optimal light transmission and protects the light engine compartment from harsh environments

Driver is mounted under the LED compartment for easy replacement and to protect from water that may accumulate in the base of the bollard. Torx security screws secure the LED compartment to the base to deter vandalism



GRPL-5520



GRPL-5510

Product Description:

This attractive, newly redesigned heavy-duty bollard features full proof aluminum construction housing, providing corrosion and vandal resistance ideal for lighting pedestrian walkways, as well as accenting the exterior grounds of office and apartment buildings, hotel and parks. A solid foundation withstands the elements, driver options work in even the worst weather conditions.

Features:

- LISTING**
UL and CUL listed for wet locations
- HOUSING**
Consisting of an extruded aluminium alloy body
Standard 4kV Surge
- FINISH**
UV stabilized powder coated finish
- LENS**
High-impact polycarbonate diffuser
- OPTIONS**
Anodized aluminum reflector
Finish - Bronze

SpecGrade
 888-410-5337
www.SpecGrade.com

* Different LED Kelvin temperature available with 4-6 week lead time. Please call for a quote.
 ** DISCLAIMER: This test report was produced in accordance with IES LM-79 photometric testing protocol for luminaires, using a single representative test fixture. Actual production units may vary from the values reported here by up to ±10%.



Performance Data

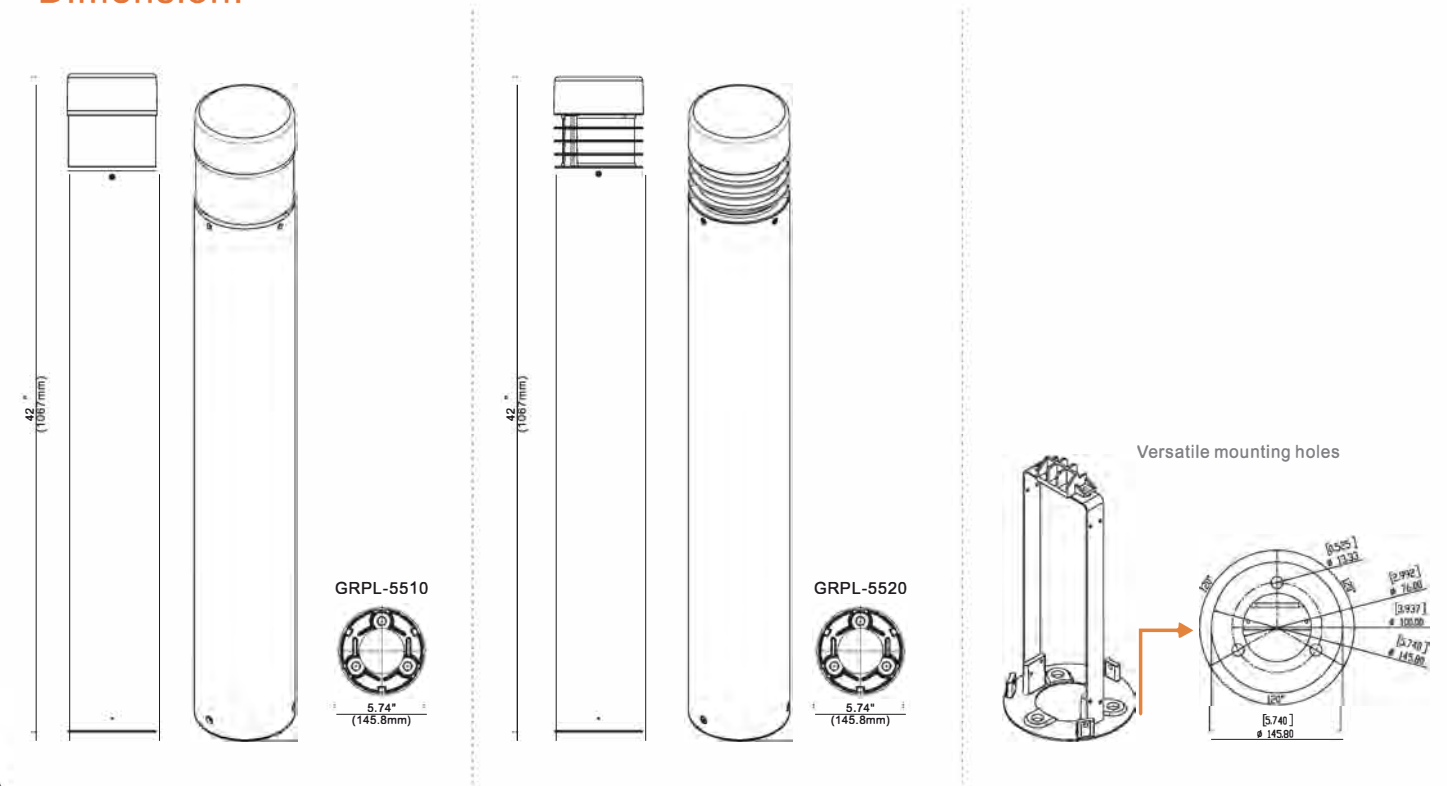
Model NO.	System Watts	Dist. Type	Lumens	Lpw	B	U	G
GRPL-5510	20 W	Type V	2456 lm**	129 lm/W	1	3	2
	30 W	Type V	3410 lm**	116 lm/W	1	3	2
GRPL-5520	20 W	Type V	706 lm**	37 lm/W	1	3	2
	30 W	Type V	1231 lm**	42 lm/W	1	3	2

Specification:

Example: GRPL-5510/5520

Model No.	SystemWatts	Input Voltage	CRI	Color Temp	Finish	Starting Temp
GRPL-5510	020=20W	UNV=120-277V	7=70+	30=3000 K	Bronze	-40°C
GRPL-5520	030=30W			40=4000 K		
				50=5000 K		

Dimension:



* Different LED Kelvin temperature available with 4-6 week lead time. Please call for a quote.
 ** DISCLAIMER: This test report was produced in accordance with IES LM-79 photometric testing protocol for luminaires, using a single representative test fixture. Actual production units may vary from the values reported here by up to ±10%.

