



LINEA

USER MANUAL



LINEA-720

SpecGrade's most powerful grow light designed for greenhouse and single-tier indoor applications



Thank You Partner!

All of us here at SpecGrade, a Columbus, OH grow light manufacturer, appreciate that you vetted us enough to realize that you've invested in what is undeniably the finest designed and engineered grow light on the market. Your LINEA series grow lights will help you to produce some of the highest yields and ROI in the industry for years to come. Our promise to you is that we will continue to work hard in the coming years and always remain open to collaborate with you in the never ending process of growing.

We look forward to hearing our feedback in all aspects of our products—good and not so good. Because we're in this together! Please go to SpecGrade.com and send us your thoughts and results.



RICK NATHANS



DOUG LAUCK

JOIN US IN A LIFELONG PARTNERSHIP

We invite you to become a preferred SpecGrade Partner to test our latest products, provide feedback on customizations, and help us push the boundaries of today's LED Grow Lighting technology. Speak to a representative for more information.

**Custom Lighting Spectrums
for your Grow Cycles**

**Photometric Calculations &
Specification from our Pros**

**Access to our proprietary LED
Lighting technology**

**Test our new products with us
as they are developed**

SPECIFICATIONS

TYPICAL PERFORMANCE ±5%				
SERIES	SYSTEM POWER	PPF	EFFICACY	CRI
LINEA-720	720 W	2,000 µmol/s	2.8 µmol/J	92.2

ELECTRICAL

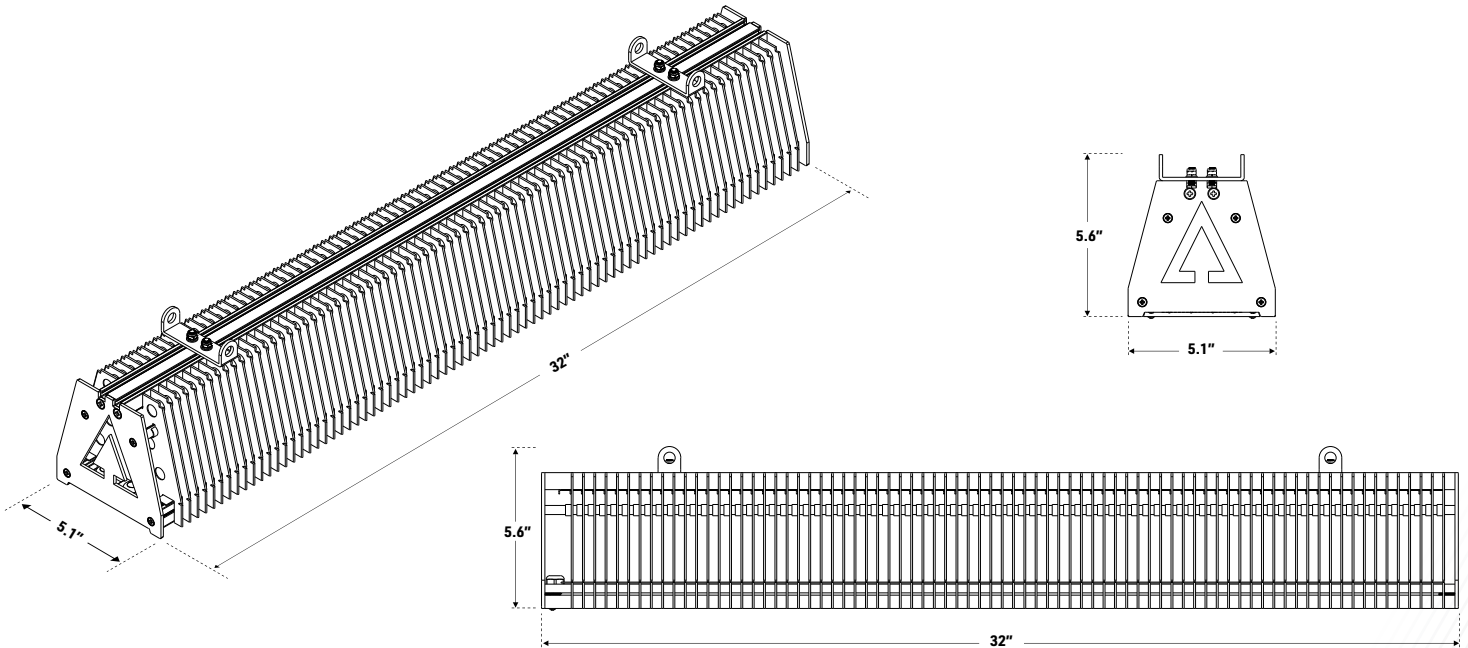
Input Voltage: 100-277V, 347-480 V
Surge Protection: 4kV
Power Factor: >0.9
Current THD: <5%
Dimming: 0-10V

MISCELLANEOUS

Thermal Design: 100% Passive
Optical Distribution: 120°
Finish: White
Operating Temperature: -40°C – +45°C

MATERIALS

Frame: Aluminum Alloy
Heat Sink: Aluminum Zipper-Fin
Protective Coating: Corrosion Resistant
 Polyester Powder Coat



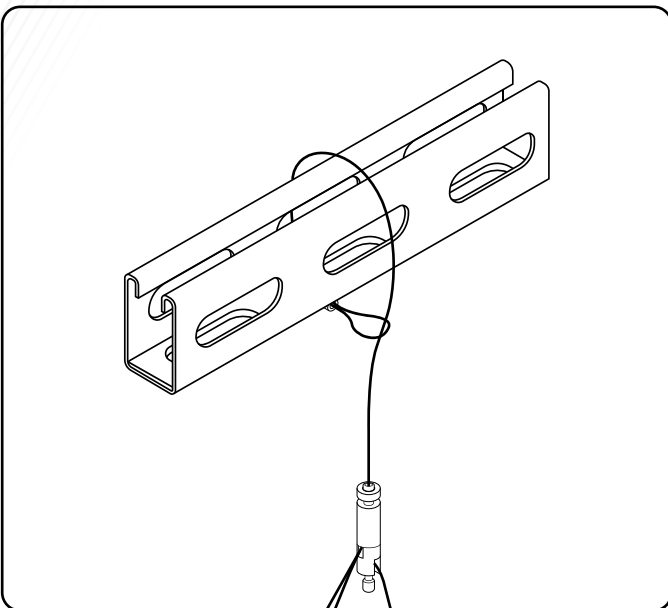
MAXIMUM AMPERAGE BY VOLTAGE SERVICE						
VOLTAGE	120V	208V	240V	277V	347V	480V
LINEA-720	6.0A	3.5A	3.0A	2.6A	2.1A	1.5A

MOUNTING INSTRUCTIONS

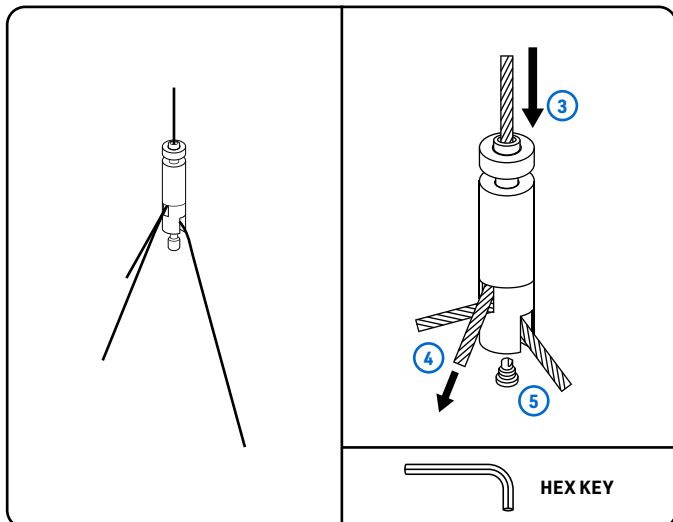
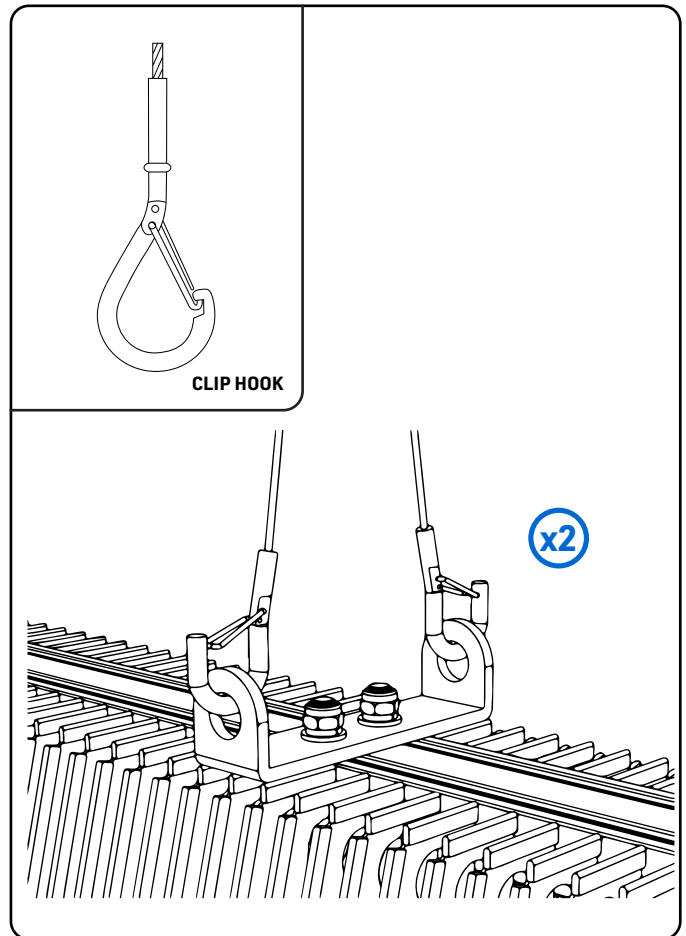
Y-HOOK SUSPENSION CABLE MOUNTING STEPS

Read the following instructions completely.

- 1) Attach the vertical cable from the wire rope suspension kit supplied with the luminaire from an appropriate overhead structure.



- 2) Attach the clip hook sling to the luminaire frame.



- 3) Insert the suspended vertical cable end into the adjustable suspension fitting on the sling cable.
- 4) Pull steel wire to adjust desired hanging weight.
- 5) Using a hex key, tighten the set screw once the fixture is horizontally level

INSTALLATION INSTRUCTIONS

ELECTRICAL INSTALLATION STEPS

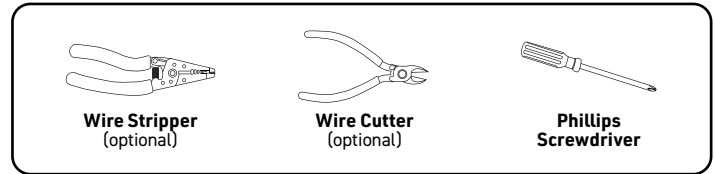
These instructions apply only to hard wired installations via pigtails and not fixtures utilizing SpecGrade's plug and play "Grow-Connect" wiring.

1) Ensure power is disconnected before making and removing connections or servicing unit.

2) Connect the power cord (3-conductor) to the VAC power source following the color codes below.


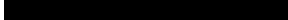
-  **BLACK - LIVE**
-  **WHITE - NEURTAL**
-  **GREEN - GROUND (Earth)**

Tools typically used during installation



3) Connect the dimming cord (2-conductor) to the on-site dimmer/control system following the color codes below.

- a)** If dimming is not to be used, ensure the DIM+ and DIM- are isolated so they do not make contact, or they will interfere with proper operation of the luminaire.
- b)** Dimming cord may not be present if fixture is supplied with integrated wireless controls.

-  **WHITE - DIM+**
-  **BLACK - DIM-**

4) Restore power and verify operation.



WARNING! BEFORE YOU BEGIN.

Read the following instructions completely.

After you have successfully installation of the system, be sure to keep this guide for future reference. We always recommend you seek the services of a qualified installation professional to ensure optimal performance and safety. These instructions do not purport to cover all details or variations in equipment, nor to provide for every possible contingency related to installation, operation, maintenance, or mounting. Should specific problems occur that are not addressed by these instructions, please contact SpecGrade for assistance.



RISK OF FIRE OR ELECTRICAL SHOCK

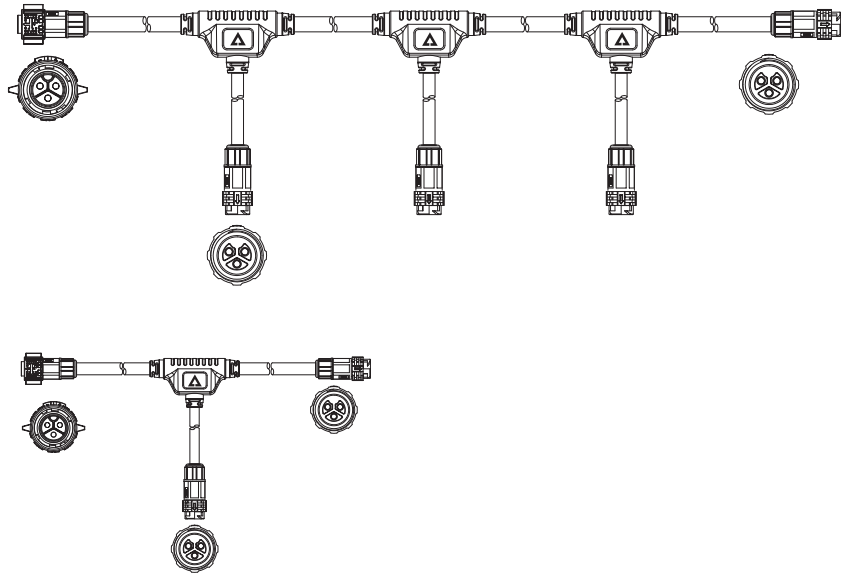
- Turn off power before beginning installation process
- Properly ground fixture per wiring diagram
- Follow all NEC and local electrical codes
- Do not make any modifications or alterations to luminaire
- Fixture may fall if not installed properly, follow installation instructions
- Wear safety glasses and proper aid during installation and maintenance
- Failure to follow these instructions may result in damaged fixture and/or voided warranty

OPTIONAL: GROW-CONNECT

SpecGrade's Grow-Connect is an easily installable daisy-chain wiring solution that is wet-location rated for grow facilities. Multiple grow lights may be wired together in a plug-and-play sequence beginning from the power source. This solution will greatly reduce installations cost and will even allow you to quickly reconfigure your system without having to call an electrician. Contact a SpecGrade representative for assistance in laying out your system.

Trunk Cables

- 15FT 3T Trunk Cable - 300V (J3TV)
- 10FT 1T Trunk Cable - 300V (J1TV)
- 15FT 3T Trunk Cable - 0-10V Dimming (J3TD)
- 10FT 1T Trunk Cable - 0-10V Dimming (J1TD)



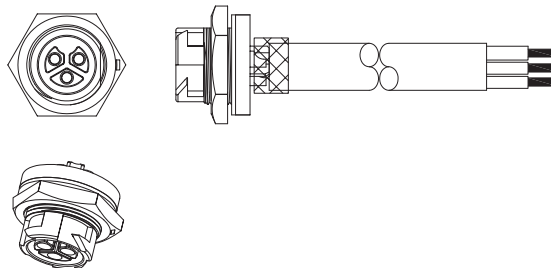
Extension Cables

- 3FT Trunk Extension - 300V (JEXT3V)
- 6FT Trunk Extension - 300V (JEXT6V)
- 15FT Trunk Extension - 300V (JEXT15V)
- 3FT Trunk Extension - 0-10V Dimming (JEXT3D)
- 6FT Trunk Extension - 0-10V Dimming (JEXT6D)
- 15FT Trunk Extension - 0-10V Dimming (JEXT15D)



Panel Mounts

- Junction Box Panel - 300V(JPMV)
- Junction Box Panel Mount - 0-10V Dimming (JPMD)



OUR WARRANTY

Subject to the exclusions set forth below, SpecGrade warrants its light emitting diode (LED) products ("SpecGrade Lights") to be free from defect in material and workmanship (the "Limited Warranty") for a period of seven (7) years on the LED arrays and five (5) years on the drivers. This Limited Warranty only applies to authorized commercial sales of SpecGrade Lights through its website, or through its authorized distributors. Warranty claims regarding SpecGrade Lights must be submitted to the Company in writing within thirty (30) days of discovery of the defect or failure.

Please see the website at [SpecGrade.com](https://www.SpecGrade.com) for full details.



TOLL FREE 888-410-5337 | **EMAIL** CustomerService@SpecGrade.com

[SpecGrade.com](https://www.SpecGrade.com)

Due to continuous improvement and innovation, product appearance and specifications may change without notice.
Actual performance may differ as a result of end-user environment and application. © 2024 SpecGrade. All Rights Reserved.