

PROJECT

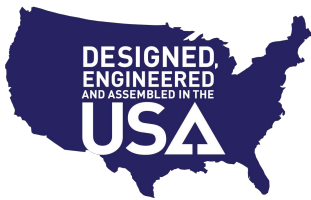
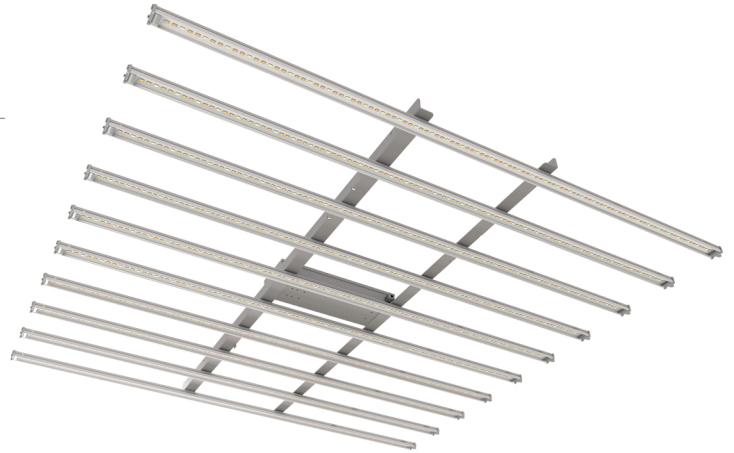
CATALOG #

TYPE

FLORA SERIES

Indoor Vertical Farming Grow Light

SpecGrade's FLORA series is the perfect LED sole-source solution for micro greens and leafy vegetables as well as the critical veg, clone and propagation stages of Cannabis. Lower intensity levels together with the capability of 0-10V dimming gives the cultivator the ability to lower; operating costs and improve the horticultural environment. To minimize stress during this phase, the proprietary thermal management system is designed to direct heat away from the delicate plants.



INTENSITY

High-powered LEDs Allow For Maximum PPFD At 90, 150 or 300 Watts

PRECISION

Designed For Unmatched Light Uniformity At Close Proximity

ENGINEERING

Proprietary Thermal Management System Radiates Less Heat.

Ordering Information

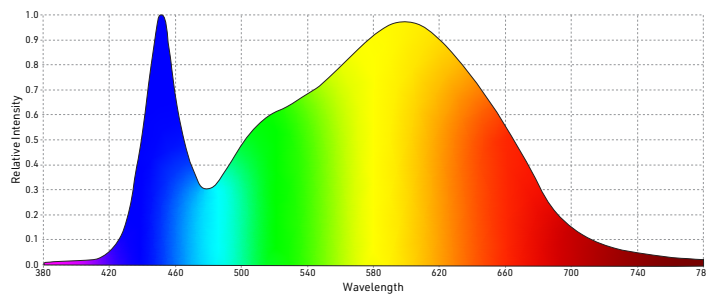
EXAMPLE PART #: FLORA - 5 - K1 - V01 - WT - 15FT

FLORA		K1		WT	15FT
SERIES	MODEL	SPECTRUM	INPUT VOLTAGE	POWDER COAT FINISH	CORD LENGTH
FLORA	3 5 10	K1 S1	V01 (100-277V) V04 (347-480V)	WT (Standard)	15FT (Standard)

NOTES

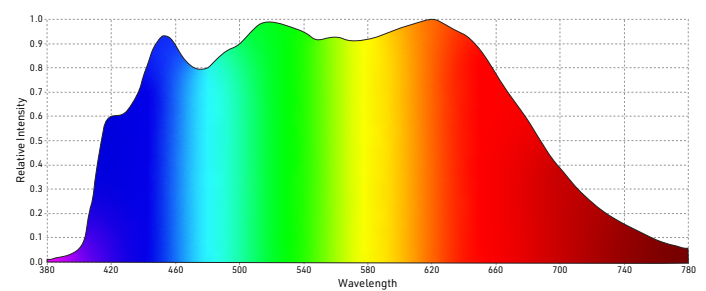
- Specifications Subject To Change without Notice

Available Spectrums



K1 Spectrum | Vegging Stage

Standard



S1 Spectrum | Entire Life Cycle

Optional, No DLC

FLORA SERIES

Indoor Vertical Farming Grow Light

Specifications

Performance

PPF (K1)

FLORA-3	197 $\mu\text{mol/s}$
FLORA-5	332 $\mu\text{mol/s}$
FLORA-10	664 $\mu\text{mol/s}$

System Power

FLORA-3	90W
FLORA-5	150W
FLORA-10	330W

Efficacy | 2.23 $\mu\text{mol/J}$

Distribution | 120°

Spectrum | K1

Thermal | 100% Passive

Expected Life | Q90 > 55,000 hrs.

Materials

LEDs | Proprietary blend of Samsung, Lumileds and OSRAM chips
 Frame | Powder Coated Stainless Steel
 Finish | Polyester Powder Coat
 Heat Sink | AL6061 Aluminum

Wiring Harness (Daisy-Chain)

Each light is Grow-Connect ready (standard).
 Request information

Warranty

LEDs | 7 Years
 Drivers | 5 Years

Listings

Rating | IP66

Safety | ETL Listed to UL 8800, UL 1598, UL 8750

FCC Compliant | 47 CFR FCC Part 15 Subpart B

NEMA Rating | 4X

Misc

Geometry	Weight	Dimensions	FootPrint
FLORA-3	10.1 lbs	42.5" x 10.6" x 2.4"	18" x 48"
FLORA-5	15.0 lbs	42.5" x 20" x 2.4"	24" x 48"
FLORA-10	28.9 lbs	42.5" x 42.5" x 2.4"	48" x 48"

Typical Mounting Height | 4" - 12" Above Canopy

Cord Length | 15-ft cord

Finish | White

Electrical

Voltage | 100-277VAC (V01), 347-480VAC (V04)

Surge Protection | 4kV (V01), 6kV (V04)

Dimming | 0-10V Compatible

Power Factor | 0.999

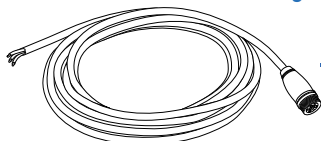
Current THD | <4%

* Performance specifications obtained from independent lab testing by Underwriters Laboratory. UL Report #12966265.05

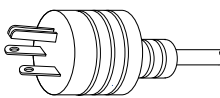
Electrical Standard

15' cord + plugs
 (NEMA 6-15P plus
 15P adapter)

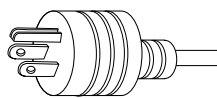
Standard Cord and Plug Configuration



Quick Connect Pigtail 15A
 Item: GCPT-AC (Power)
 Item: GCPT-DC (Dimming)

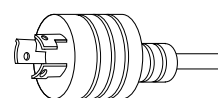


250V Side Blade 15A
 (NEMA 6-15P)
 Item: SBP



Adapter included to
 change the 250v to
 120V Straight Blade
 15A (NEMA 5-15P)
 Item: STDP

Plug Option

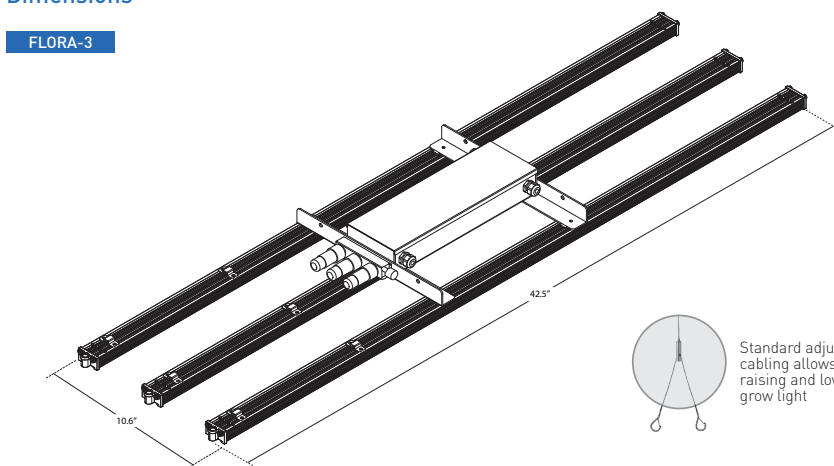


277V Twist Lock Plug 15A
 (NEMA L7-15P)
 Item: STP

Product Data

Dimensions

FLORA-3



Maximum Amperage By Voltage Service

		3 BAR					
Voltage	Amperage	120V	208V	240V	277V	347V	480V
		0.8	0.47	0.41	0.36	0.28	0.21

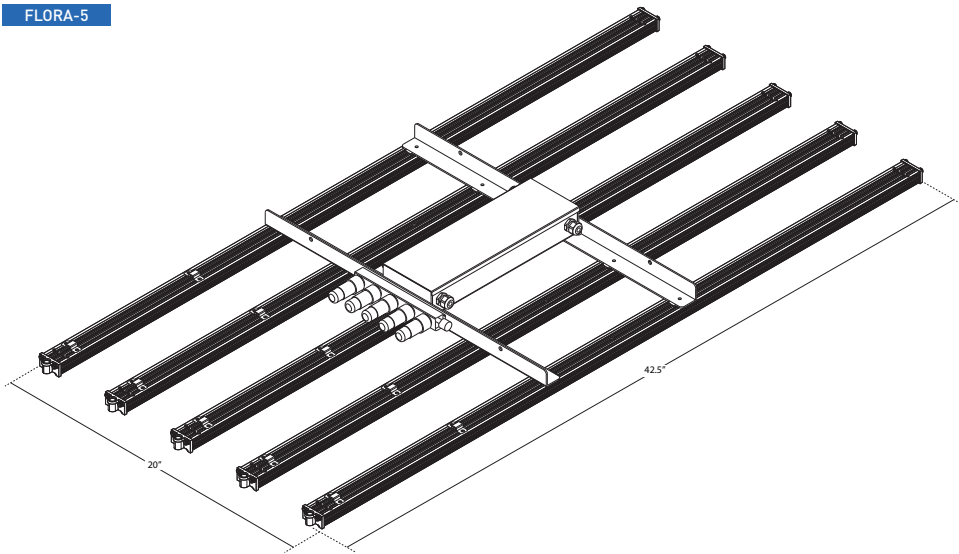
		5 BAR					
Voltage	Amperage	120V	208V	240V	277V	347V	480V
		1.3	0.76	0.66	0.58	0.46	0.34

		10 BAR					
Voltage	Amperage	120V	208V	240V	277V	347V	480V
		2.57	1.5	1.3	1.15	0.91	0.66

FLORA SERIES

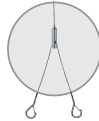
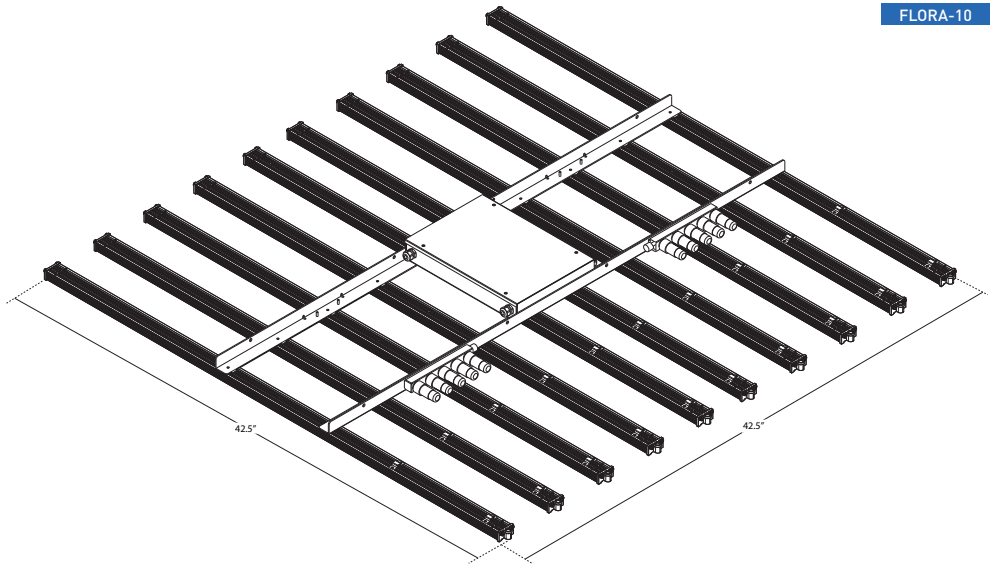
Indoor Vertical Farming Grow Light

FLORA-5



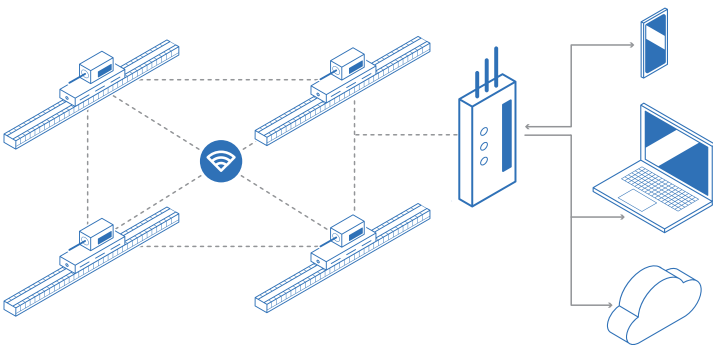
Standard adjustable cabling allows for easy raising and lowering of grow light

FLORA-10

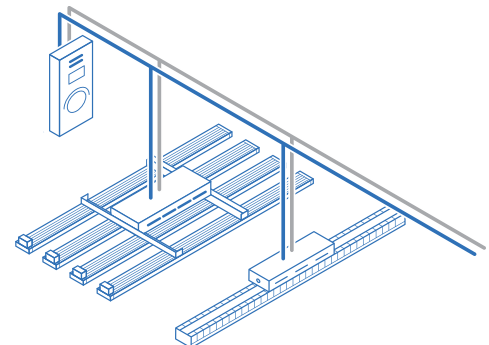


Standard adjustable cabling allows for easy raising and lowering of grow light

Controls



Wireless



Hard-Wired

Due to continuous improvement and innovation, product appearance and specifications may change without notice. Actual performance may differ as a result of end-user environment and application.