

PROJECT

CATALOG #

TYPE

VERTA-6F

Powerful Indoor LED Grow Light

Performance, engineering excellence and price all comes together in SpecGrade's new professional grade Verta-6F. Our finely-tuned proven A1 spectrum will improve the trichromes and taste while cutting operational costs and shortening grow cycles. The Verta-6F is sure to be the professional's new go-to grow light for the highest return on investment.

The standard 0-10V dimming functions working together with the Grow-Connect ready (daisy-chaining) wiring harness makes the Verta-6F the perfect choice for both flowering and vegging applications.

Its modular design allows the you to field repair any failed components without experiencing any down-time. The proprietary thermal management system radiates less heat onto the plants while at the same time delivering unprecedented light levels and uniformity.



Modular driver may be remotely mounted or attached to the top of the VERTA-6F fixture.



INTENSITY

Designed for Maximum PPFD While Using Significantly Less Power Than Traditional Light Sources

PRECISION

Precision-Engineered A1 Spectrum Offers Light Tailored For a Plant's Entire Life Cycle

ENGINEERING

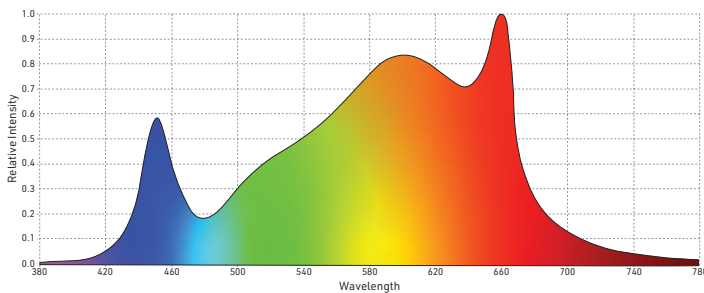
Fully Modular Design Enables Best in Class Maintenance and Adaptability

Ordering Information

| SERIES | MODEL | SPECTRUM | INPUT VOLTAGE | OPTIONS |
|--------|-------|----------|----------------------------------|---|
| VERTA | 6F | A1 | V01 (120-277V) V04 (347-480V) | [BLANK] (720W) 640 (640W SYS. POWER) |

EXAMPLE PART #: VERTA - 6F - A1 - V01

Available Spectrums



A1 Spectrum | Entire Life Cycle

VERTA-6F

Powerful Indoor LED Grow Light

Specifications

Performance*

PPF (± 5%) | 2,050 µmol/s std.,
1,800 µmol/s (640 opt.)

System Power (± 3%) | 720W std.,
640W (640 opt.)

Efficacy | 2.8 µmol/J

Distribution | 120°

Spectrum | A1

Thermal | 100% Passive

Expected Life | Q90 > 41,000 hrs.

Electrical

Voltage | 120-277VAC (V01), 347-480VAC (V04)

Surge Protection | 4kV (V01), 6kV (V04)

Dimming | 0-10V

Power Factor | >0.98

Current THD | <10%

Materials

LEDs | Proprietary blend of Broad Spectrum
White and 660nm Red Diodes

Frame | Powder Coated Stainless Steel

Finish | Polyester Powder Coat, Antimicrobial
Finish Optional

Heat Sink | AL6061 Aluminum

Driver | Inventronics

Listings

Rating | IP66

Safety | ETL Listed to UL 8800, UL 1598,
UL 8750 Standards

FCC Compliant | 47 CFR FCC Part 15
Subpart B

Misc

Typical Mounting Height | ≥6 to 36in. Above
Canopy

Typical Footprint | 48 x 48 in.

Finish | White

Maximum Ambient Temperature | 30°C

Warranty

LEDs | 7 Years

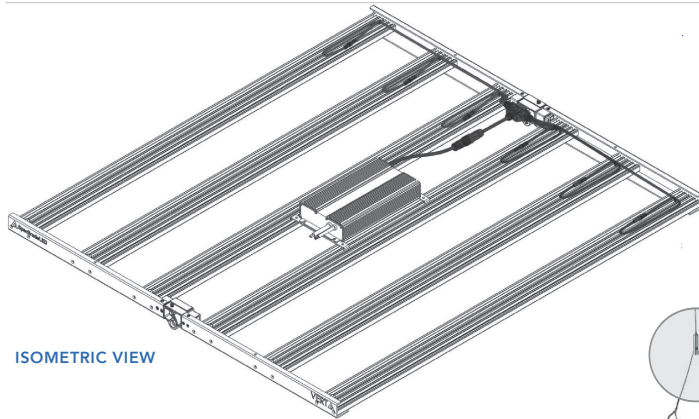
Drivers | 5 Years

Maximum Amperage By Voltage Service

| Voltage | 120V | 208V | 240V | 277V | 347V | 480V |
|-------------|------|------|------|------|------|------|
| 720W (std.) | 6.0A | 3.5A | 3.0A | 2.6A | 2.1A | 1.5A |
| 640W (opt.) | 5.3A | 3.1A | 2.7A | 2.3A | 1.8A | 1.3A |

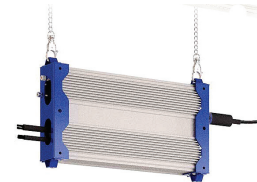
*Performance data obtained from independent lab testing by LightLab International LLC. Report ID LLIA001756

Drawings



Dimensions

| | Fixture Weight | Driver Weight | Remoted Driver | Attached Driver |
|----------|----------------|---------------|----------------------|----------------------|
| VERTA-6F | 23.5 lb. | 7.0 lb. | 47.75 X 42 X 2.5 in. | 47.75 X 42 X 3.5 in. |



Modular driver may be remotely mounted

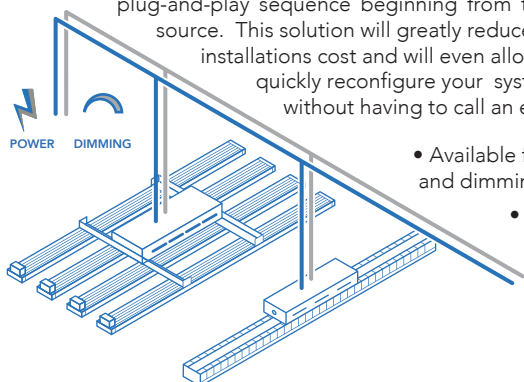


Adjustable height stainless steel mounting cable std.

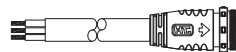
Grow-Connect

SpecGrade's Grow-Connect is an easily installable daisy-chain wiring solution that is wet-location rated for grow facilities. Multiple grow lights may be wired together in a plug-and-play sequence beginning from the power source. This solution will greatly reduce

installations cost and will even allow you to quickly reconfigure your system without having to call an electrician.

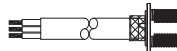


- Available for power and dimming circuits
- Tool Free
- IP67



Input

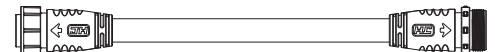
GCPIGTAIx | Pigtail
GC515P | 120V PLUG (NEMA 5-15P)
GC615P | 208-240V PLUG (NEMA 6-15P)
GCL715P | 277V PLUG (NEMA L7-15P)



Panel Mount

For direct connection to source power/control junction boxes

JPMV | 120-277VAC
JPMD | 0-10V DIMMING



Extensions

JEXT3x | 3FT
JEXT6x | 6FT
JEXT15x | 15FT



1T TRUNK

J1TV | 120-277VAC
J1TD | 0-10V DIMMING



3T TRUNK

J3TV | 120-277VAC
J3TD | 0-10V DIMMING