

ARIES-B

HAZARDOUS LOCATION LED

20W, 30W, 40W, 50W, 60W, 80W, 100W, 120W
HAZARDOUS LOCATION LED

- Class I - Div 1: Groups C, D
- Class I - Div 2: Groups A, B, C, D
- Class II - Div 1: Groups E, F, G
- Class II - Div 2: Group E, F, G
- IP66 Rated
- IK10 Rated
- NEMA 4X



POWER

Available in 20W, 30W, 40W, 50W, 60W, 80W, 100W & 120W

PRECISION

Custom-Engineered Optics Offer Precisely Directed Light

ENGINEERING

A383 Die Cast Aluminum Housing and Tempered Glass Lens

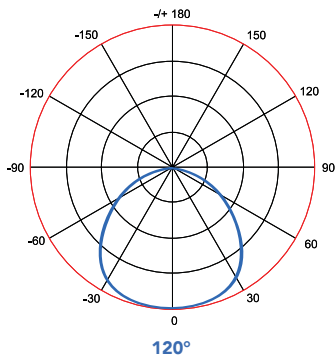
ORDERING INFORMATION

EXAMPLE PART #: ARIB - 60 - 40K - 40 - V01 - GR - PM - NDIM

ARIB		GR						
SERIES	WATTS	CCT	OPTICS	INPUT PWR	FINISH	MOUNTING	DIMMING	
ARIB	20	35K*	120	V01 110/277V	GR	TM Trunion Mount	NDIM No Dimming	
	30	40K		V04 347/480V		PM Pendant Mount	VDIM 0-10V Dimmable	
	40	50K				JBT Junction Box w/Pendant		
	50	57K						
	60							
	80							
	100							
	120							

- NOTES**
- *35K Available; Please Consult Factory for Lead Times
 - *V04 only available in 60W

OPTICS



SPECIFICATIONS

Expected Life | Over 85,000 hrs.
Rating | IP66 & IK10
Color Rendering Index (CRI) | 70
Operating Temp | 20W-80W: -40°C to +60°C
 100W-120W: -40°C to +40°C
Relative Humidity | 10-90% RH
Power Factor | >.95
Input Line Voltage | 90-305 / 200-525 VAC
Input Line Frequency | 50/60 Hz
LED Chips | Philips
Driver | Meanwell
Surge Protection | 10KV
DC Output Ripple & Noise | <200mVP-P
T-Rating | T4

LISTINGS

UL 1598A Marine Listed
UL 1598 Listed
UL 844 Listed

- Class I, Division 1, Groups C,D
- Class I, Division 2, Groups A,B,C,D
- Class II, Division 1, Groups E,F,G
- Class II, Division 2, Groups E,F,G
- NEMA 4X

MATERIALS

Housing | A383 Die Cast Aluminum
Gasketing | Fluorosilicone Rubber
Hardware | Stainless Steel 304
Finish | Polyester Powdercoat
Lens | Tempered Glass

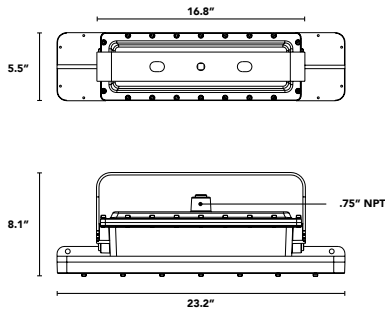
LUMEN CHART

	3500K	4000K	5000K	5700K
20W	2,000 lm	2,560 lm	2,700 lm	2,800 lm
30W	3,600 lm	3,840 lm	4,050 lm	4,200 lm
40W	4,800 lm	5,120 lm	5,400 lm	5,600 lm
50W	6,000 lm	6,400 lm	6,750 lm	7,000 lm
60W	7,200 lm	7,680 lm	8,100 lm	8,400 lm
80W	9,600 lm	10,240 lm	10,800 lm	11,200 lm
100W	12,000 lm	12,800 lm	13,500 lm	14,000 lm
120W	14,400 lm	15,360 lm	16,200 lm	16,800 lm

Typical delivered lumen data is approximate. Actual lumens will vary due to installation environment and beam pattern. Please see IES files.

PRODUCT DRAWINGS

20W - 30W - 40W - 50W - 60W



80W - 100W - 120W

