

CHALLENGER

HAZARDOUS LOCATION LED

30W, 40, 50 & 60W
HAZARDOUS LOCATION LED

- Class I - Div 2: Groups A, B, C, D
- Class II - Div 2, Groups F, G
- Class III
- IP66/67 Rated
- IK10 Rated
- NEMA 4X
- Optional Emergency Backup with 90 Minute Runtime



PROJECT

CATALOG #

TYPE

Rev: 01 2024



ORDERING INFORMATION

EXAMPLE PART #: CHA - 40 - 40K - 120 - V01 - GR - CM - VDIM

SERIES	WATTS	CCT	OPTICS	INPUT PWR	FINISH	MOUNTING	DIMMING
CHA	30 40 50 60	27K 40K 50K	120	V01 110/277V	GR	CM Ceiling Mount RP Rope Mount PM Pole Mount	VDIM 0-10V Dimmable
OPTIONS							
DL Diffused Lens							
EM Emergency Backup							

SPECIFICATIONS

Expected Life | Over 50,000 hrs.
Rating | IP66 & IK10
Color Rendering Index (CRI) | >80
Operating Temp | -40°C – +50°C
Relative Humidity | 10-90% RH
Power Factor | >.95
Input Line Voltage | 100-277 VAC
Input Line Frequency | 50/60 Hz
Surge Protection | 4KV
DC Output Ripple & Noise | <200mVP-P
T-Rating | T6 20W
 T5 30W, 40W & 60W

LISTINGS

UL 1598 Listed
UL 1598A Marine Listed
UL 844 Listed

- Class I, Division 2, Groups A,B,C,D
- Class II, Division 2, Groups F,G
- Class III

NEMA 4X

MATERIALS

Housing | SUS 304 Stainless Steel
Gasketing | Silicone Rubber
Hardware | Aluminum Alloy
Finish | Epoxy Powdercoat
Lens | Polycarbonate

LUMEN CHART

	2700K	4000K	5000K
20W	2,550 lm	2,700 lm	2,750 lm
30W	3,850 lm	4,000 lm	4,100 lm
40W	5,150 lm	5,350 lm	5,450 lm
50W	6,400 lm	6,700 lm	6,850 lm

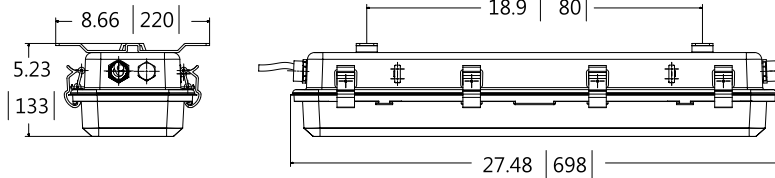
Typical delivered lumen data is approximate. Actual lumens will vary due to installation environment and beam pattern. Please see IES files.

CHALLENGER

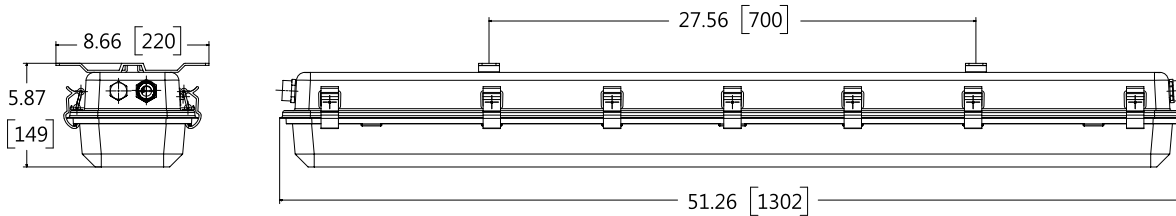
HAZARDOUS LOCATION LED

PRODUCT DRAWINGS (Dimensions in Inches and [mm])

30W & 40W



50W & 60W



* Mounting screws not provided
 ** Ordered separately, field installed

Options	Description	Kit (inch[mm])	Installed
Ceiling Mount	Provided with two stainless steel mounting kits welded at the back of Housing	Standard Mounting Kit (Included) 	
Rope Mount	Provided with two stainless steel wire. Measured 1 mm diameter.		
Pole Mount	(1) 155° Pipe (2) Pipe Clamp bracket		

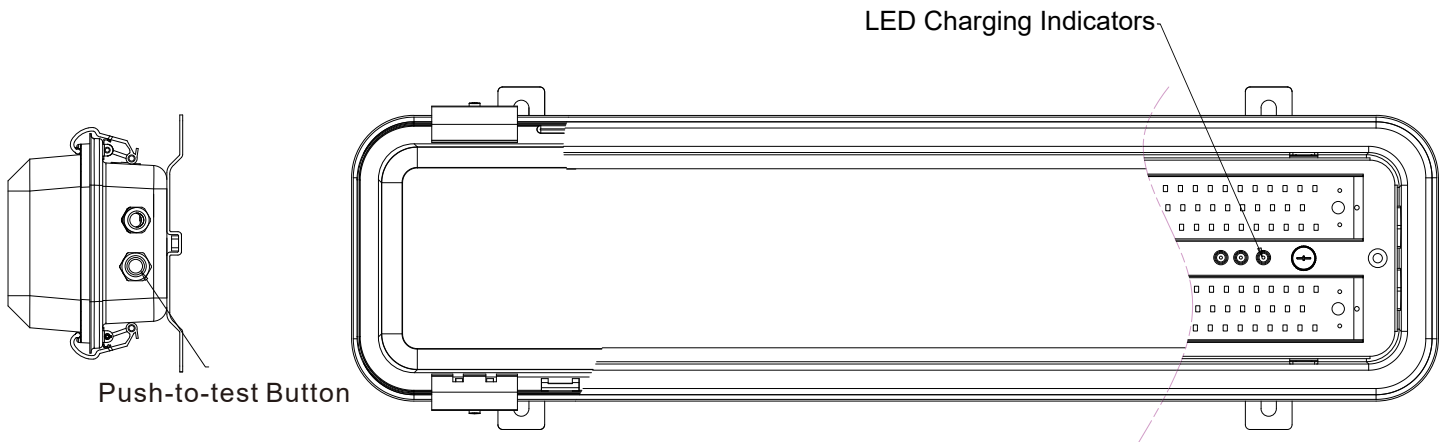
Due to continuous improvement and innovation, product appearance and specifications may change without notice. Actual performance may differ as a result of end-user environment and application.

EMERGENCY DRIVER SPECIFICATION AND FEATURES - EM-10W-HL:

CAUTION: Sealed unit. Battery not replaceable. Replace entire unit when necessary.

Model	Input Rating				Emergency Output Rating	
	Vac	Hz	Max.A	Max.W	Vdc	Constant Wattage, W
EM-10W-HL	120-277	50/60	0.15	9	42-50	10

Model	Charge Time, Hours	Emergency Run Time, Min	Use Environment	Rated Ambient Range, °C	Battery Life Expectancy
EM-10W-HL	24	90	Damp	-10 ~ +60	5 Years



LED Indicator State	Representation
Green Light On	Battery charging capacity is more than 80% or fully charged
Red Light On	Battery charging capacity is less than or equal to 80%
Yellow Light On	1. Product failure. 2. Battery charging or discharging capacity is less than or equal to 20%