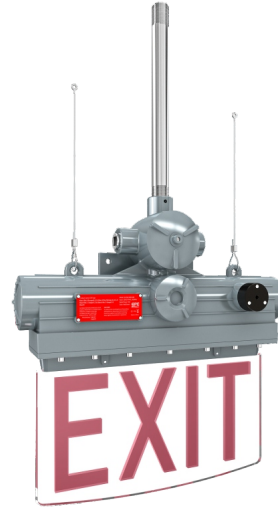


# COLUMBIA

## HAZARDOUS LOCATION EDGE LIT LED EXIT SIGN

### 3W & 5W HAZARDOUS LOCATION LED

- Class I - Div 1: Groups B, C, D
- Class I - Div 2: Groups A, B, C, D
- Class II - Div 1: Groups E, F, G
- Class II - Div 2: Groups F, G
- Class III
- IP66 Rated
- IK10 Rated
- NEMA 4X
- Low Energy Consumption
- 3-Hour Emergency Operation



### ORDERING INFORMATION

EXAMPLE PART #: COL - 3 - R - 180 - V01 - PM - NDIM

| SERIES | WATTS  | COLOR  | OPTICS | INPUT PWR      | FINISH | MOUNTING  | DIMMING           |
|--------|--------|--------|--------|----------------|--------|---|-------------------|
| COL    | 3<br>5 | R<br>G | 180    | V01   110/277V | GR     | WM   Wall Mount<br>PM   Pendant Mount<br>PMS   Pendant Mount w/Safety Chain | NDIM   No Dimming |

### SPECIFICATIONS

- Expected Life | Over 50,000 hrs.
- Rating | IP66 & IK10
- Color Rendering Index (CRI) | >70
- Operating Temp | -40°C – +60°C
- Relative Humidity | 10-90% RH
- Power Factor | >.95
- Input Line Voltage | 100-277 VAC
- Input Line Frequency | 50/60 Hz
- Surge Protection | 10KV
- DC Output Ripple & Noise | <200mVP-P
- T-Rating | T6
- Emergency Operation Time | 3 Hours

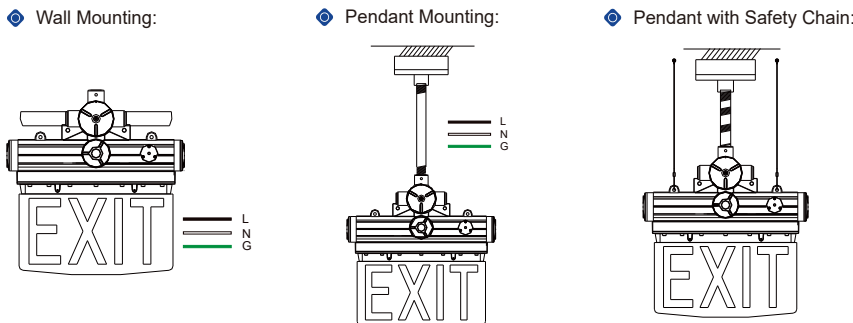
### LISTINGS

- UL 844 Listed**
  - Class I, Division 1, Groups B,C,D
  - Class I, Division 2, Groups A,B,C,D
  - Class II, Division 1, Groups E,F,G
  - Class II, Division 2, Groups F,G
  - Class III
  - NEMA 4X
- UL 924 Listed**
- UL 121201**

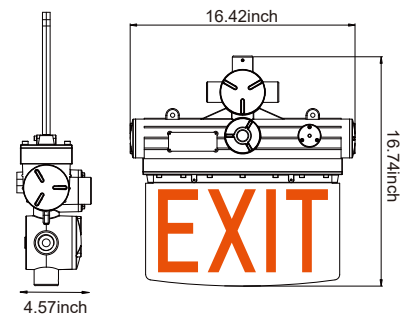
### MATERIALS

- Housing | A356T6 Aluminum
- Gasketing | One-piece Silicone Rubber
- Hardware | Stainless Steel
- Finish | Baked-on Epoxy
- Sign | Tempered Glass

### MOUNTING



### DIMENSIONS



Due to continuous improvement and innovation, product appearance and specifications may change without notice. Actual performance may differ as a result of end-user environment and application.