

# ENDEAVOUR

## HAZARDOUS LOCATION LED

**20W - 200W**  
HAZARDOUS LOCATION LED

- Class I - Div 2: Groups A, B, C, D
- Class II - Div 1: Groups E, F, G
- Class II - Div 2: Group F, G
- Class III
- UL 844
- IP66 & IK10 Rated
- NEMA 4X



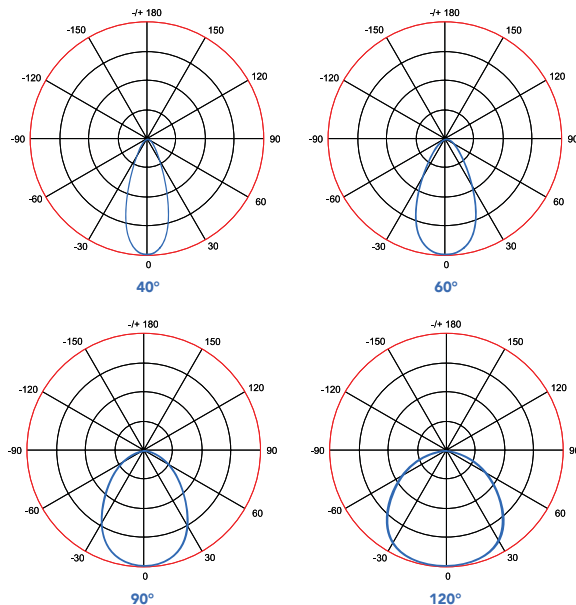
### ORDERING INFORMATION

EXAMPLE PART #: EX60Q2D50D90A1

EX	WATT	HOUSING	D	CCT	OPTICS	LENS	BOX COVER	EM BACKUP	LENS COVER
EX	20 40 50 60 80 100 120* 150* 180* 200*	Q1 Q2 B5 BX	D   0-10V Dimmable	30 40 50 57 65	D40 D60 D90 D120 DT2 DT3 DT5	[BLANK]   Flat Glass G   Convex Glass P   Convex Polycarbonate FP   Flat Polycarbonate SG   Spherical Glass	A   Cover A B   Cover B C   Cover C D   Cover D	[BLANK]   No Backup EM   Emergency Backup	1   Lens Cover 1 2   Lens Cover 2

**NOTE**  
\*120W-200W Available only for Q2 and BX Housings

### OPTICS



### LUMEN CHART

	3500K	4000K	5000K	5700K	5700K
20W	2,500 lm	2,550 lm	2,600 lm	2,650 lm	2,700 lm
40W	5,000 lm	5,100 lm	5,200 lm	5,250 lm	5,350 lm
50W	6,250 lm	6,350 lm	6,500 lm	6,550 lm	6,700 lm
60W	7,500 lm	7,650 lm	7,800 lm	7,900 lm	8,050 lm
80W	10,000 lm	10,200 lm	10,400 lm	10,500 lm	10,700 lm
100W	12,500 lm	12,750 lm	13,000 lm	13,150 lm	13,400 lm
120W	15,000 lm	15,300 lm	15,600 lm	15,750 lm	16,050 lm
150W	18,700 lm	19,100 lm	19,500 lm	19,700 lm	20,100 lm
180W	22,450 lm	22,950 lm	23,400 lm	23,650 lm	24,100 lm
200W	24,950 lm	26,000 lm	26,000 lm	26,250 lm	26,800 lm

Typical delivered lumen data is approximate. Actual lumens will vary due to installation environment and beam pattern. Please see IES files.

Due to continuous improvement and innovation, product appearance and specifications may change without notice. Actual performance may differ as a result of end-user environment and application.

# ENDEAVOUR

## HAZARDOUS LOCATION LED

### SPECIFICATIONS

**Expected Life** | Over 150,000 hrs.  
**Rating** | IP66  
     IK08 (glass cover)  
     IK10 (with wire guard)  
**Color Rendering Index (CRI)** | 70  
**Operating Temp** | -40°C to +50°C  
**Relative Humidity** | 10-90% RH  
**Power Factor** | >.95  
**Input Line Voltage** | 100-277 VAC  
**Input Line Frequency** | 50/60 Hz  
**Surge Protection** | 10KV  
**DC Output Ripple & Noise** | <200mVP-P

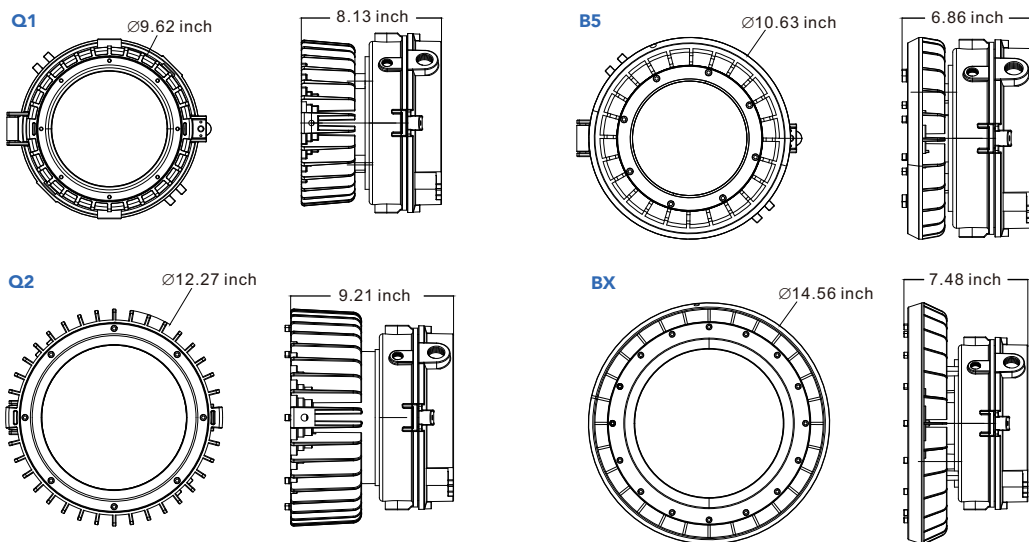
### LISTINGS

**UL 1598A Marine Listed**  
**UL 844 Listed**  
 - Class I, Division 2, Groups A,B,C,D  
 - Class II, Division 1, Groups E,F,G  
 - Class II, Division 2, Groups F,G  
 - Class III  
 - NEMA 4X

### MATERIALS

**Housing** | Die Cast Aluminum  
**Gasketing** | Rubber  
**Hardware** | Stainless Steel  
**Finish** | Powdercoat  
**Lens** | Tempered Glass or Polycarbonate

### PRODUCT DRAWINGS



### LENS COVERS



### MOUNTING OPTIONS



### LENS



Due to continuous improvement and innovation, product appearance and specifications may change without notice. Actual performance may differ as a result of end-user environment and application.