

THE STRATUS

LED DoB SITE LIGHT

25W, 50W, 75W, 100W, 150W, 200W & 300W
REPLACES UP TO A 250-WATT METAL HALIDE FIXTURE



- Finned Die Cast Aluminum Housing
- Powder Coated UV & Corrosion Resistant Finish
- Expected Life over 100,000 Hours
- UV Protected Acrylic Optics
- Driver on Board Technology
- Industry-Leading 10-Year LED Board Warranty



POWER

Replaces Up To a 750W
Metal Halide Fixture

PRECISION

Eight Custom-Engineered Optics that Offer
Precisely Directed Light

ENGINEERING

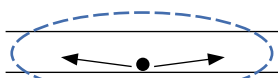
Die-Cast Aluminum Heatsink for
Maximum Thermal Management

ORDERING INFORMATION

EXAMPLE PART #: STR - 150 - 40K - T2 - V01 - BL - SPM - TL3

STR		V01							
SERIES	WATTS	CCT	OPTICS	INPUT PWR	FINISH	MOUNTING		OPTIONS	
STR	25	30K	T2	V01 110/277V	BL GR BZ	SPM Square Pole Mount	RPM Round Pole Mount	TL3 3-Pin Photocell Receptacle	TL5 5-Pin Photocell Receptacle
	50	40K	T3						
	75	50K	T4						
	100	57K	T5						
	150								
	200								
	300								
						SFM Slipfitter Mount	TL7 7-Pin Photocell Receptacle	PC Photocell	
						TNM Trunnion Mount		SYN Synapse Wireless	

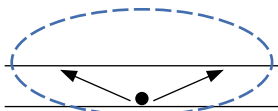
OPTICS



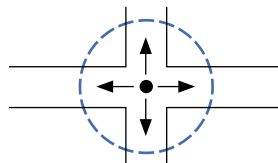
T2



T3



T4



T5

LUMEN CHART

	3000K	4000K	5000K	5700K
25W	3,000 lm	3,200 lm	3,200 lm	3,200 lm
50W	5,700 lm	6,000 lm	6,000 lm	6,000 lm
75W	8,800 lm	9,200 lm	9,200 lm	9,200 lm
100W	11,500 lm	12,000 lm	12,000 lm	12,000 lm
150W	17,000 lm	17,600 lm	17,800 lm	18,000 lm
200W	22,000 lm	22,800 lm	23,000 lm	23,200 lm
300W	33,900 lm	35,000 lm	35,000 lm	35,000 lm

Typical delivered lumen data is approximate. Actual lumens will vary due to installation environment and beam pattern. Please see IES files.

THE STRATUS

LED DoB SITE LIGHT

SPECIFICATIONS

Expected Life | Over 100,000 hrs.
Rating | IP65
Color Rendering Index (CRI) | >70
Operating Temp | -40°C – +50°C
Power Factor | >98%
Input Line Voltage | 120-277
Input Line Frequency | 50/60 Hz
THD | <15%
LED Chips | Cree
Driver | DoB (Driver on Board)
Surge Protector | 10kV

LISTINGS

UL Listed | 1598 - 8750
FCC Compliant | (Title 47 Part 15)

EPA

Fixture	MAX EPA
25W, 50W, 75W & 100W	0.25 ft ²
150W & 200	0.32 ft ²
300W	0.43 ft ²

MATERIALS

Housing | Finned Die Cast Aluminum
Gasketing | Neoprene Rubber
Hardware | 18-8 Stainless Steel
Finish | Protective UV Stabilized Powdercoat
Lens | UV Inhibited Acrylic

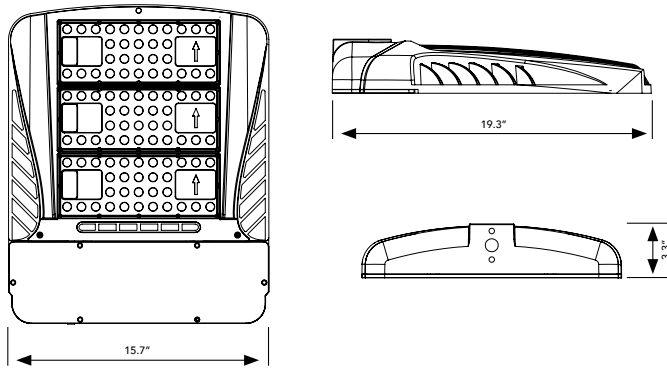
WARRANTIES

See Website for Details

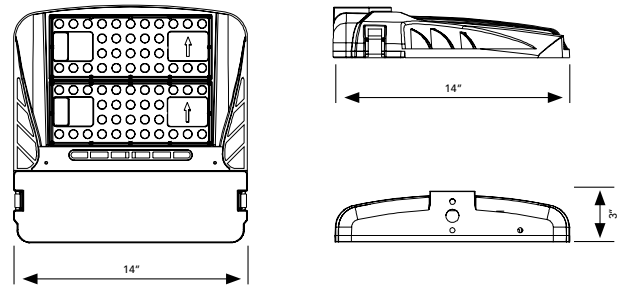
LED | 10-Year

PRODUCT DRAWINGS

300W



150W & 200W



25W, 50W, 75W & 100W

