

# THE GEMINI 2

## LED SITE LIGHT

60W, 80W, 100W, 150W, 185W, 240W, 300W, 400W & 500W  
REPLACES UP TO A 1000-WATT METAL HALIDE FIXTURE



- Die Cast Aluminum Housing
- Powder Coated UV & Corrosion Resistant Finish
- Expected Life over 100,000 Hours
- UV Protected Acrylic Optics
- Up to 140 lm/W efficiency with CRI>80
- Easy Access Integral Driver
- Industry-Leading 10/7-Year Warranty



### POWER

Available from 60W to 500W Configurations

### PRECISION

Eight Custom Optics that Deliver Precisely Directed Light

### ENGINEERING

Versatile Mounting Options Allow for Use in a Multitude of Outdoor Applications

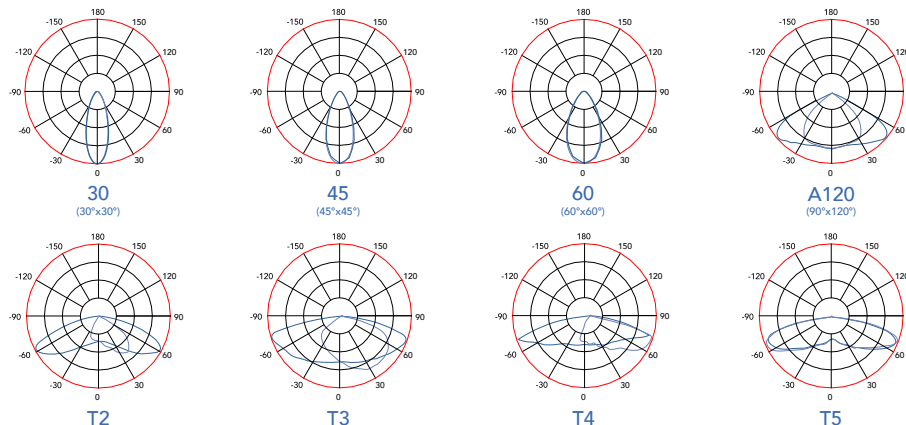
## ORDERING INFORMATION

EXAMPLE PART #: PL - 100 - 40K - T3M - V01 - BL - SF - NDIM - TL3 - PC

PL								
SERIES	WATTS	CCT	OPTICS	INPUT PWR	FINISH	MOUNTING	DIMMING	OPTIONS
PL	60	30K	T2	V01   100-277V	BL	PLM1   Square/Round Pole Mount for 60-100mm (2.36-3.90")	NDIM   No Dimming	TL3   3-Pin Photocell Receptacle
	80	40K	T3	V04   347-480V	WT	PLM2   Square/Round Pole Mount for >100mm (>4")	VDIM   1-10V Dimmable	TL5   5-Pin Photocell Receptacle
	100	50K	T4		RAL	SF   Post Top Slip Fitter for 2-3/8" O.D. Pole	DDIM   DALI Dimming	TL7   7-Pin Photocell Receptacle
	150	57K	T5			WM   Wall Mount Bracket		PC   Photocell
	185		A120			UB   U-Bracket		OS   Occupancy Sensor
	240		30					SYN   Synapse Wireless
	300		45					
	400		60					
	500							

NOTES  
- >80 CRI Standard

## OPTICS



Due to continuous improvement and innovation, product appearance and specifications may change without notice. Actual performance may differ as a result of end-user environment and application.

# THE GEMINI 2

## LED SITE LIGHT

### SPECIFICATIONS

Die Cast Aluminum Housing | 18-8 Stainless Steel Hardware | Protective UV Stabilized Finish | Powdercoat 4000 Hour Salt Spray Tested to ASTM B117

UV Inhibited Acrylic Lens | 10KV Surge Suppression | 10KV LDC Bypass | CE Listed

UL Surge Protection | 1449  
ANSI Surge Protection | C62.41.2  
UL Listed | UL 1598, UL 8750  
CE Listed

UL Surge Protection | 1449  
ANSI Surge Protection | C62.41.2  
UL Listed | UL 1598, UL 8750  
CE Listed

UL Surge Protection | 1449  
ANSI Surge Protection | C62.41.2  
UL Listed | UL 1598, UL 8750  
CE Listed

### LISTINGS

### MATERIALS

Housing | Die Cast Aluminum  
Gasketing | Silicone  
Hardware | 18-8 Stainless Steel  
Finish | Protective UV Stabilized  
Powdercoat 4000 Hour Salt Spray Tested to ASTM B117  
Lens | UV Inhibited Acrylic

### WARRANTIES

See Website for Details

LED | 10-Year  
Driver | 7-Year

### LUMEN CHART

	3000K	4000K	5000K+
60W	7,980 lm	8,100 lm	8,400 lm
80W	10,640 lm	10,800 lm	11,200 lm
100W	13,300 lm	13,500 lm	14,000 lm
150W	19,950 lm	20,250 lm	21,000 lm
185W	24,605 lm	24,975 lm	25,900 lm
240W	31,920 lm	32,400 lm	33,600 lm
300W	39,900 lm	40,500 lm	42,000 lm
400W	53,200 lm	54,000 lm	56,000 lm
500W	66,500 lm	67,500 lm	70,000 lm

Typical delivered lumen data is approximate. Actual lumens will vary due to installation environment and beam pattern. Please see IES files.

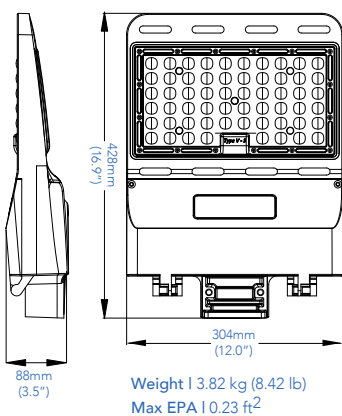
### POLE LOAD INFORMATION

EPA (FT <sup>2</sup> )	Configuration	Weight (lb)
0.55	1	8.50
1.10	2@180	17.00
0.95	2@90	17.00
1.50	3@90	25.50
1.74	3@120	25.50
1.74	4@90	34.00

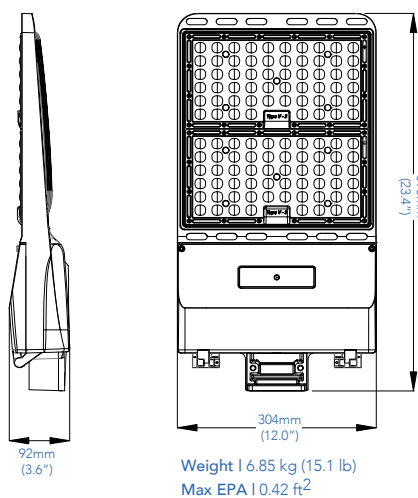
Pole load information is representative of an installation of 500W fixtures which would be the typical worst case scenario.

### PRODUCT DRAWINGS

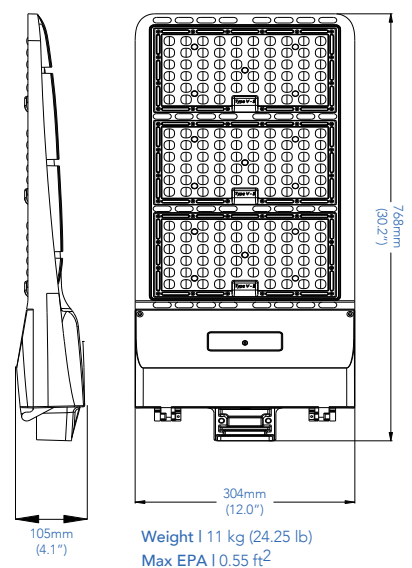
60-185W



240-300W



400-500W



Due to continuous improvement and innovation, product appearance and specifications may change without notice. Actual performance may differ as a result of end-user environment and application.

TOLL-FREE: 888-410-5337 | FAX: 614-868-5344 | © 2020 SpecGradeLED

www.SpecGradeLED.com

# THE GEMINI 2

## LED SITE LIGHT

### Mounting Options

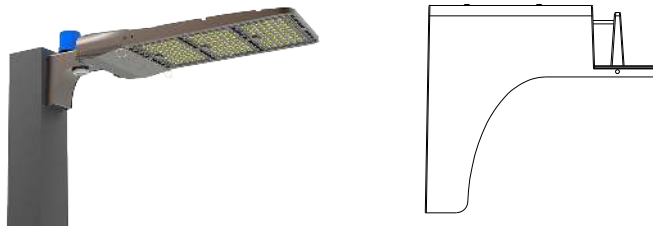
#### PLM1

Clamp Style  
Square/Round Pole  
Mount for 60-100mm  
(2.36-3.90")



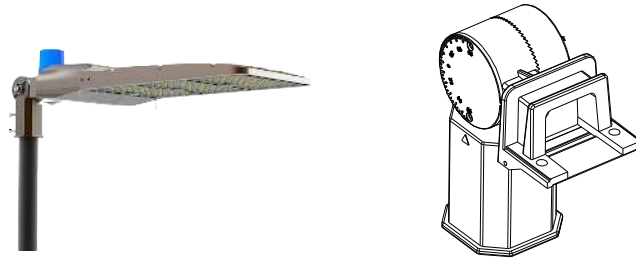
#### PLM2

Direct Mount  
Square/Round Pole  
Mount



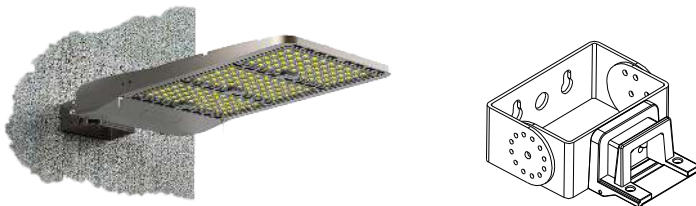
#### SF

Post Top Slip Fitter  
for 2-3/8" O.D. Pole



#### WM

Wall Mount Bracket



#### UB

Adjustable  
U-Bracket

